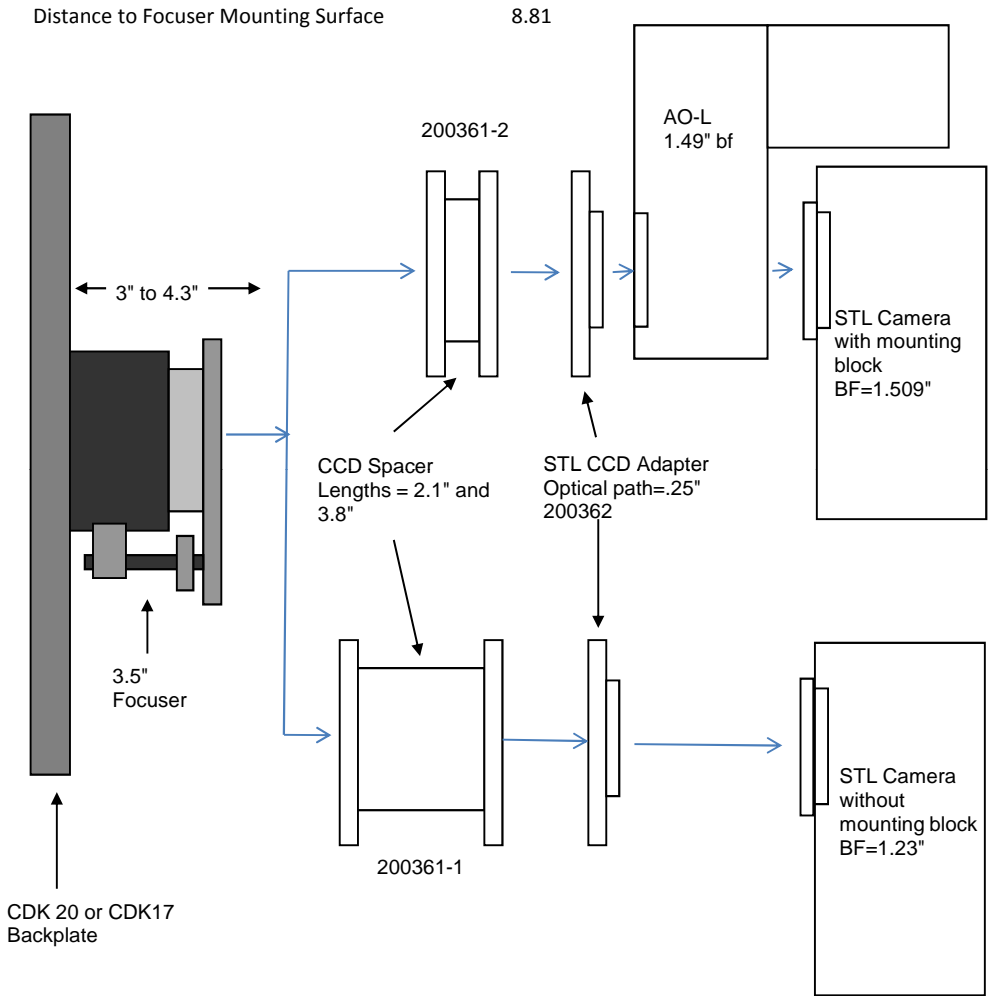


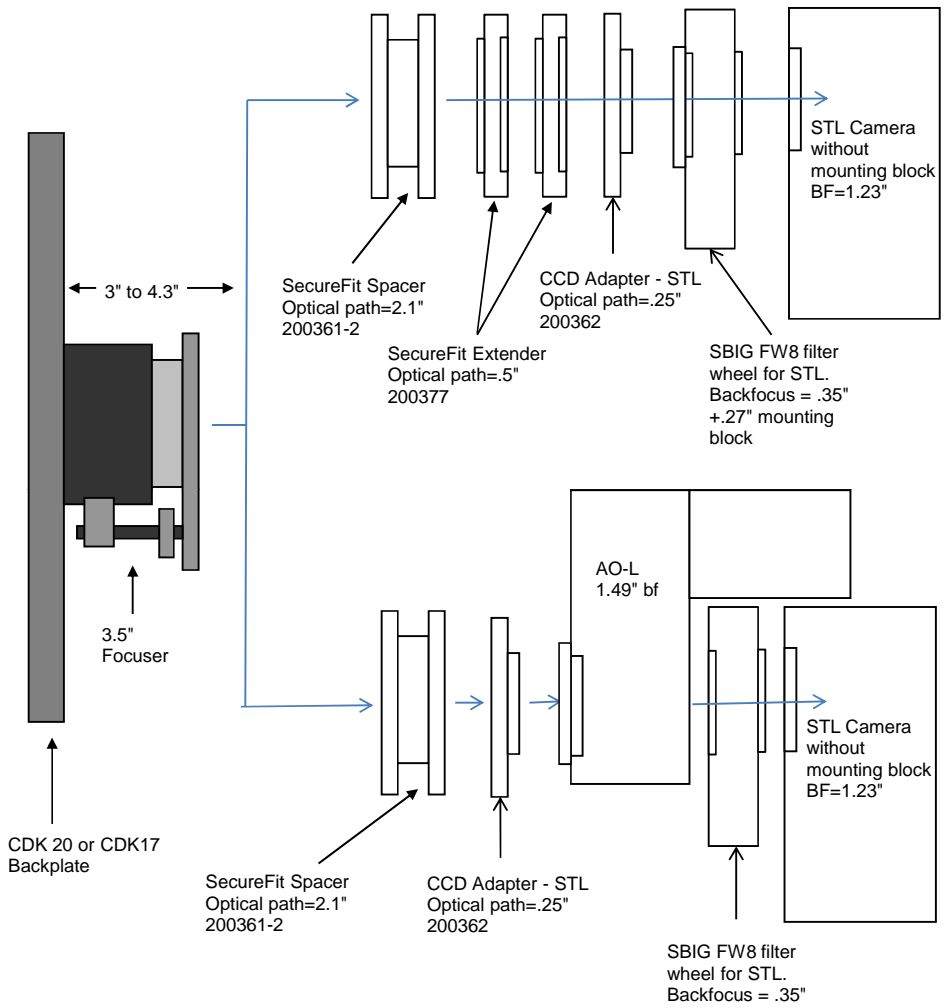
PLANEWAVE INSTRUMENTS
CDK17&20 SECUREFIT SPACERS FOR STL CAMERAS



STL and AO-L		8.81 remaining BF
Focuser racked in	3	5.81
Focuser position (0-1.3")	0.461	5.349
CCD Spacer 2.1 - 200361-2	2.1	3.249
CCD Adapter STL - 200362	0.25	2.999
AO-L	1.49	1.509
STL Back Focus	1.509	0

STL Camera Alone		8.81 remaining BF
Focuser racked in	3	5.81
Focuser position (0-1.3")	0.53	5.28
CCD Spacer 3.8 - 200361-1	3.8	1.48
CCD Adapter STL - 200362	0.25	1.23
SLT Back Focus	1.23	0

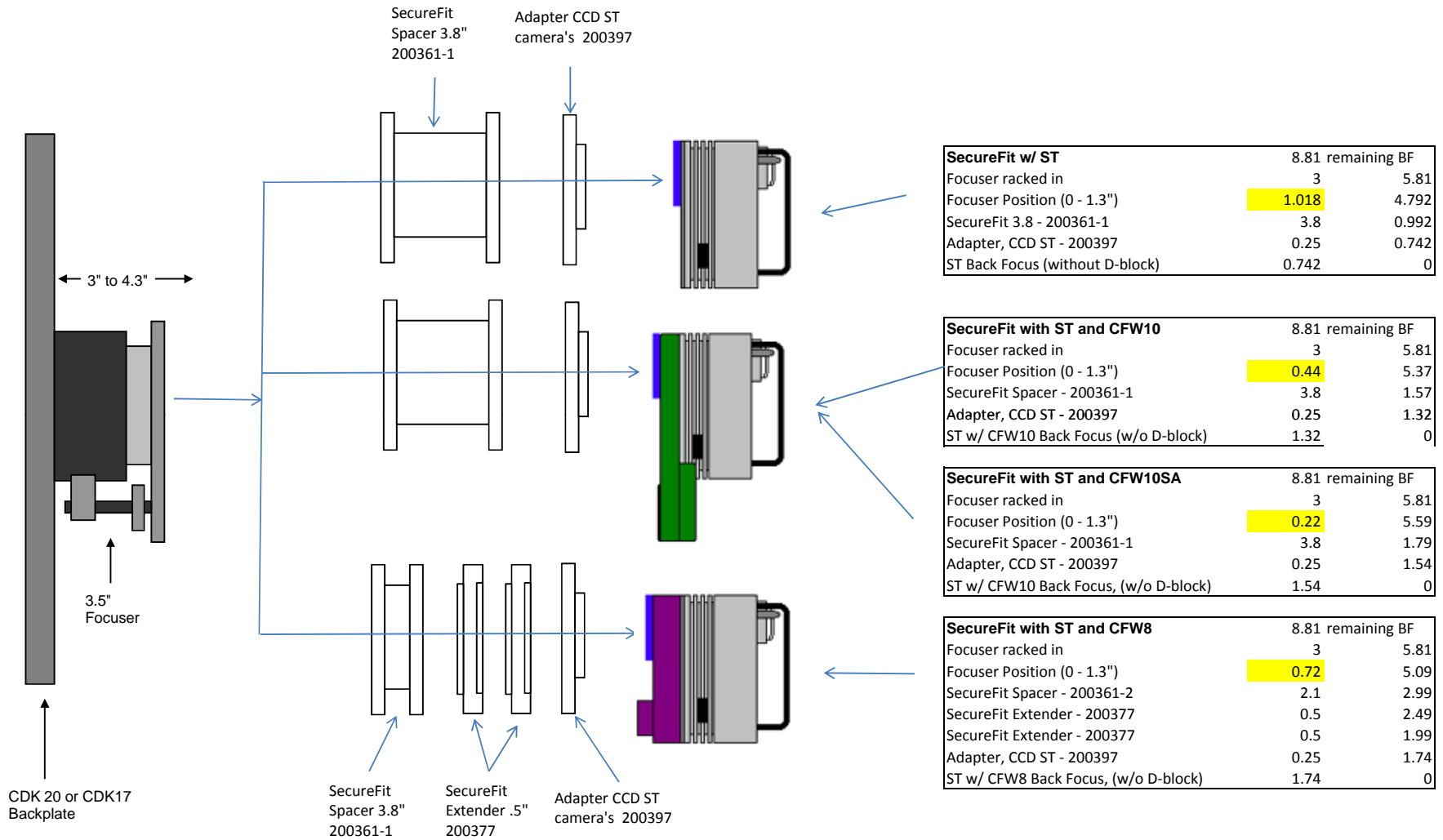
PLANEWAVE INSTRUMENTS
CDK17&20 SPACERS FOR STL CAMERAS



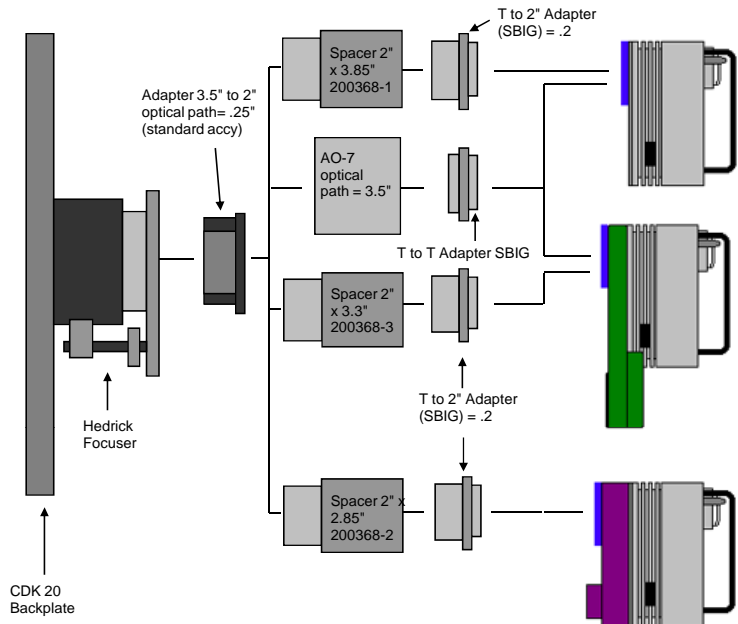
STL w/ FW8	8.81 remaining BF	
Focuser racked in	3	5.81
Focuser position (0-1.3")	0.61	5.2
CCD Spacer 2.1 - 200361-2	2.1	3.1
CCD SecureFit Extender - 200377	0.5	2.6
CCD SecureFit Extender - 200377	0.5	2.1
CCD Adapter STL - 200362	0.25	1.85
FW8	0.62	1.23
SLT Back Focus	1.23	0

STL w/ FW8 and AO-L	8.81 remaining BF	
Focuser racked in	3	5.81
Focuser position (0-1.3")	0.12	5.69
CCD Spacer 2.1 - 200361-2	2.1	3.59
CCD Adapter STL - 200362	0.25	3.34
AO-L + mounting block	1.76	1.58
FW8	0.35	1.23
SLT Back Focus	1.23	0

PLANEWAVE INSTRUMENTS
CDK17&20 SECUREFIT CCD SPACERS FOR ST CAMERAS



PLANEWAVE INSTRUMENTS
CDK17&20 SECUREFIT CCD SPACERS FOR ST CAMERAS



ST Camera, no filter wheel			8.81 remaining BF
Focuser racked in	3	5.81	
Focuser Position (0 - 1.3")	0.498	5.312	
Adapter, 3 to 2 (standard accy)	0.25	5.062	
CCD 2" Spacer x 3.85" - 200368-1	3.85	1.212	
T to 2 Adapter (SBIG)	0.2	1.012	
ST Back Focus (with D-Block)	1.012	0	

ST Camera with CFW10 w/ D-Block			8.81 remaining BF
Focuser racked in	3	5.81	
Focuser Position (0 - 1.3")	0.468	5.342	
Adapter, 3 to 2 (standard accy)	0.25	5.092	
CCD 2" SPACER x 3.3" - 200368-3	3.3	1.792	
T to 2 Adapter (SBIG)	0.2	1.592	
ST Back Focus (with D-Block)	1.592	0	

ST Camera with CFW8 w/ D-Block			8.81 remaining BF
Focuser racked in	3	5.81	
Focuser Position (0 - 1.3")	0.498	5.312	
Adapter, 3 to 2 (standard accy)	0.25	5.062	
CCD 2" Spacer x 2.85" - 200368-2	2.85	2.212	
T to 2 Adapter (SBIG)	0.2	2.012	
ST Back Focus (with D-Block)	2.012	0	

ST Camera + AO-7			8.81 remaining BF
Focuser racked in	3	5.81	
Focuser Position (0 - 1.3")	0.85	4.96	
Adapter, 3 to 2	0.25	4.71	
T to T Adapter (SBIG)	0.2	4.51	
ST + AO-7 backfocus	4.51	0	

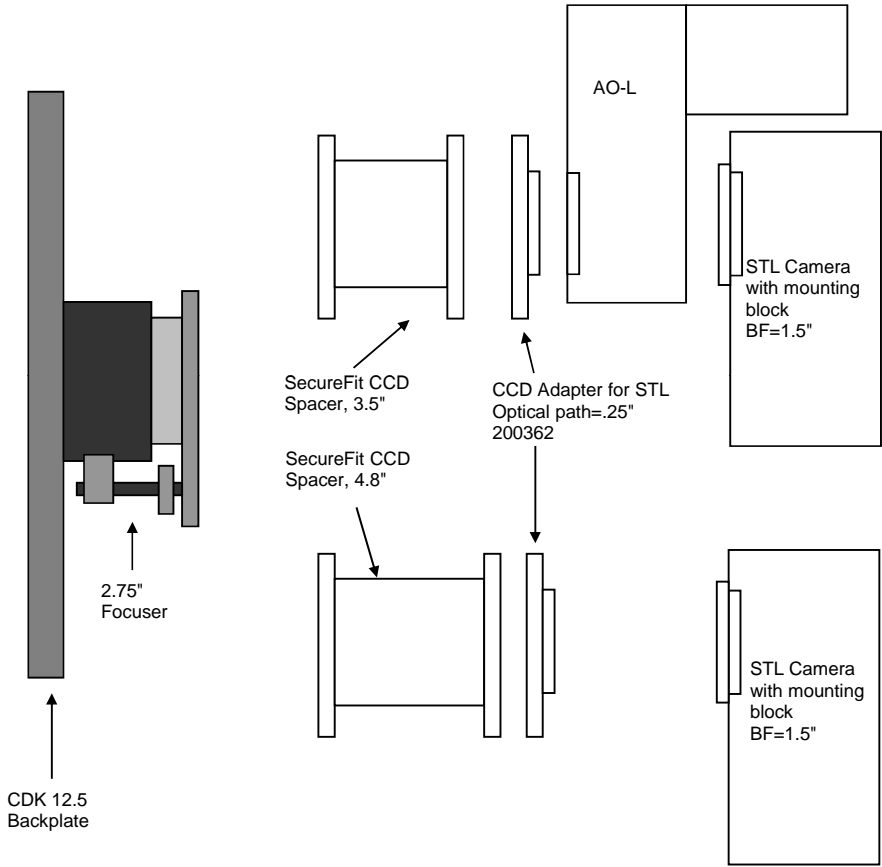
ST + CFW10 + AO-7			8.81 remaining BF
Focuser racked in	3	5.81	
Focuser Position (0 - 1.3")	0.27	5.54	
Adapter, 3 to 2	0.25	5.29	
T to T Adapter (SBIG)	0.2	5.09	
ST + AO-7 backfocus	5.09	0	

DOES NOT HAVE ENOUGH BACK FOCUS

ST + CFW8 + AO-7			8.81 remaining BF
Focuser racked in	3	5.81	
Focuser Position (0 - 1.3")	0	5.81	
Adapter, 3 to 2	0.25	5.56	
T to 2 Adapter (SBIG)	0.2	5.36	
ST + AO-7 backfocus	5.51	-0.15	

PLANEWAVE INSTRUMENTS
SECUREFIT CCD SPACERS FOR STL CAMERAS
 for CDK12.5

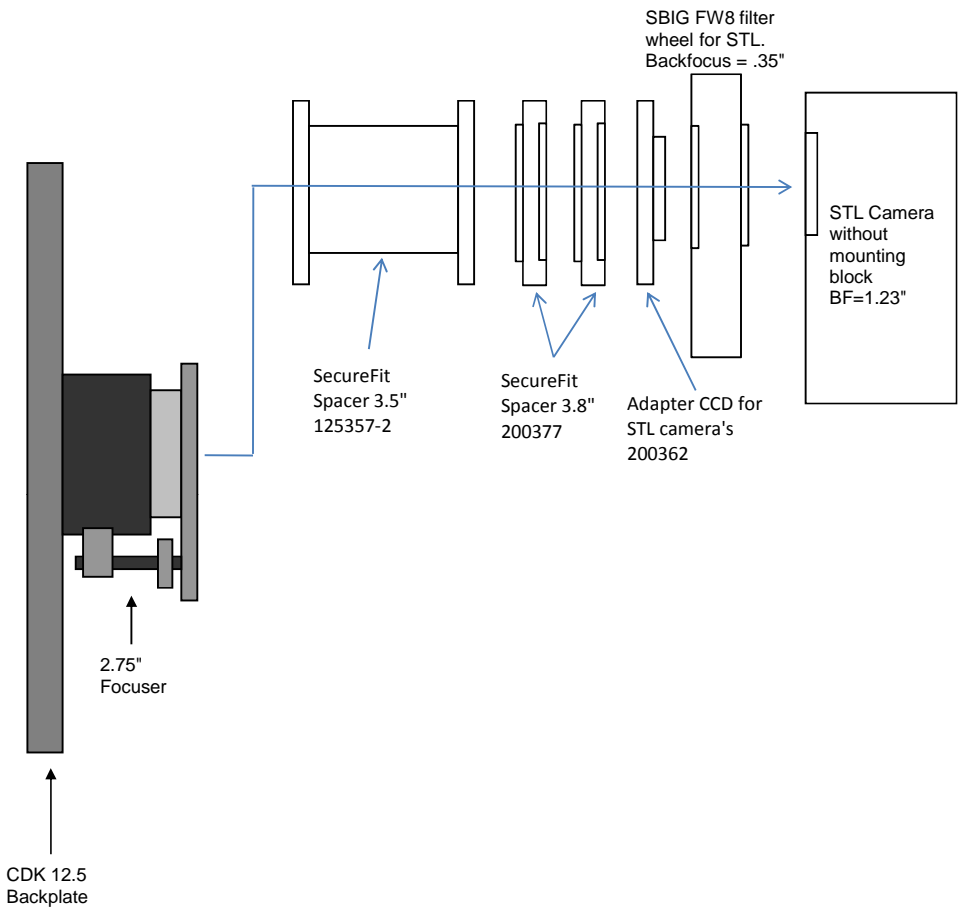
← 10.445 →
 Distance from focuser mounting surface to focal plane



STL and AO-L required spacers	10.445 remaining BF	
2.75" Focuser (racked in)	3.25	7.195
Focus position (0 to 1.3")	0.455	6.74
SecureFit CCD Spacer 3.5" - 125357-2	3.5	3.24
CCD Adapter, STL - 200362	0.25	2.99
AO-L	1.49	1.5
STL Back Focus	1.5	0

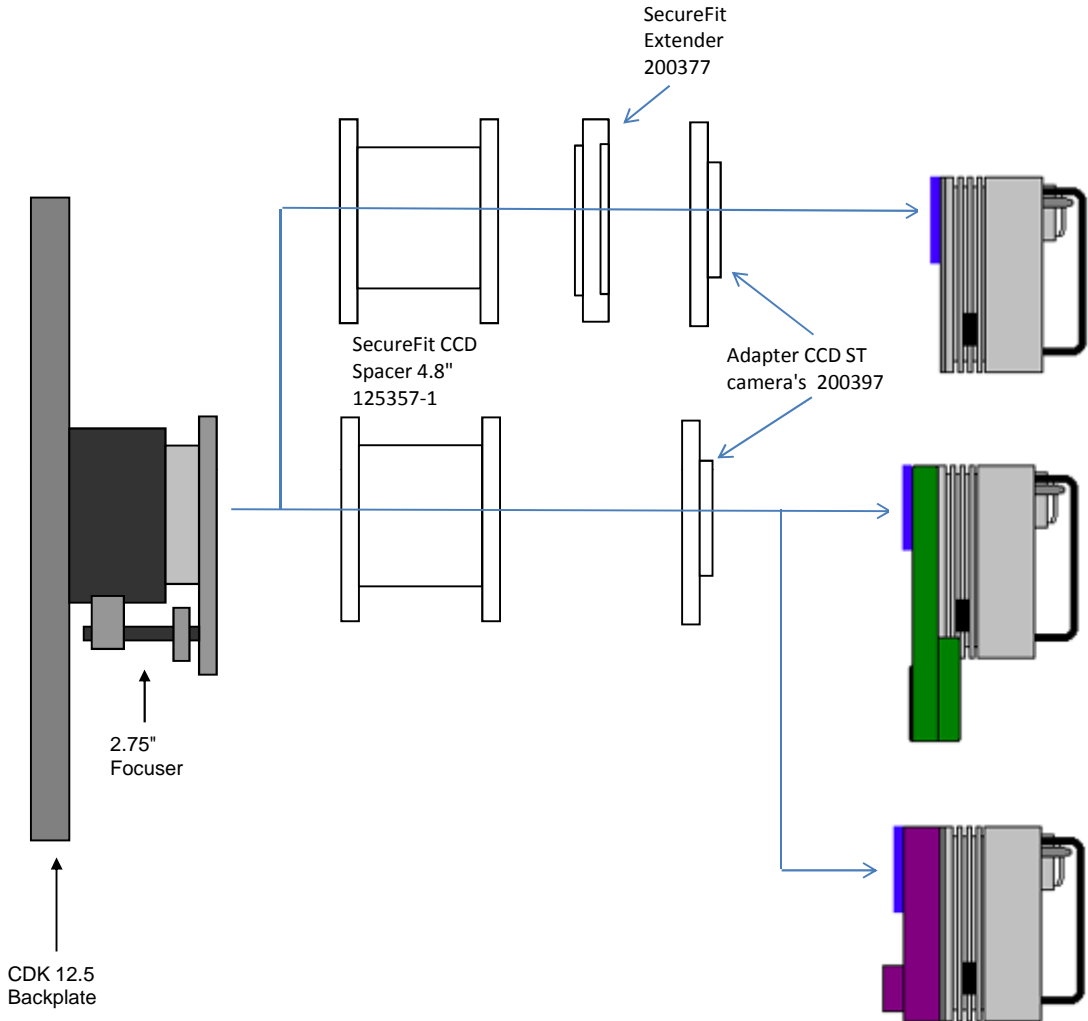
STL Camera	10.445 remaining BF	
2.75" Focuser (racked in)	3.25	7.195
Focus position (0 to 1.3")	0.65	6.545
SecureFit CCD Spacer 4.8" - 125357-1	4.8	1.745
CCD Adapter, STL - 200362	0.25	1.495
STL Back Focus	1.5	-0.005

PLANEWAVE INSTRUMENTS
SECUREFIT CCD SPACERS FOR STL CAMERAS
 for CDK12.5



STL w/ FW8	10.445 remaining BF	
Focuser racked in	3.25	7.195
Focus position (0 to 1.3")	0.865	6.33
SecureFit CCD Spacer 3.5" - 125357-2	3.5	2.83
CCD Adapter, STL - 200362	0.25	2.58
CCD Extender - 200377	0.5	2.08
CCD Extender - 200377	0.5	1.58
FW8	0.35	1.23
SLT Back Focus	1.23	0

PLANEWAVE INSTRUMENTS
SECUREFIT CCD SPACERS FOR ST CAMERAS
 for CDK12.5

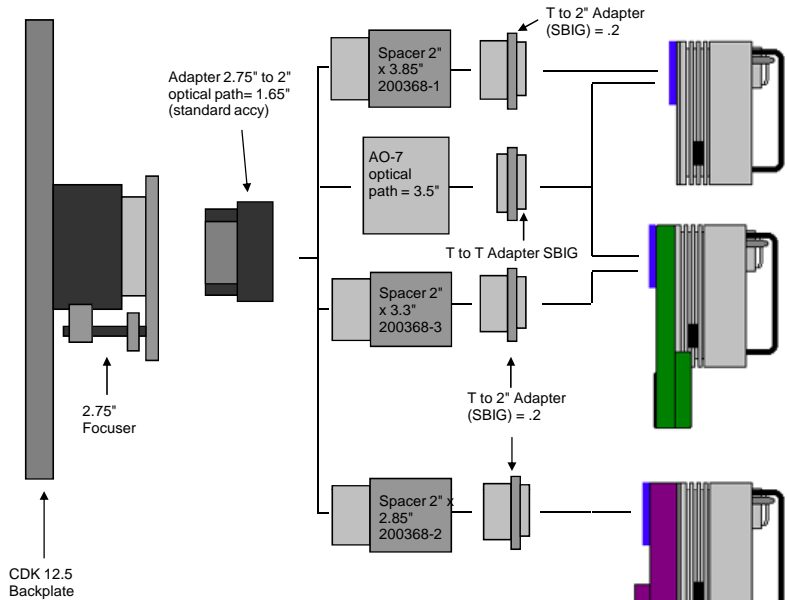


ST Camera, no filter wheel	10.445	remaining BF
Focuser racked in	3.25	7.195
Focuser Position (0 - 1.3")	0.903	6.292
SecureFit CCD Spacer 4.8" - 125357-1	4.8	1.492
CCD Extender - 200377	0.5	0.992
Adapter, CCD ST - 200397	0.25	0.742
ST Back Focus (no D-Block)	0.742	0

ST Camera with CFW10 (no D-Block)	10.445	remaining BF
Focuser racked in	3.25	7.195
Focuser Position (0 - 1.3")	0.823	6.372
SecureFit CCD Spacer 4.8" - 125357-1	4.8	1.572
Adapter, CCD ST - 200397	0.25	1.322
ST Back Focus (no D-Block)	1.322	0

ST Camera with CFW8 (no D-Block)	10.445	remaining BF
Focuser racked in	3.25	7.195
Focuser Position (0 - 1.3")	0.403	6.792
SecureFit CCD Spacer 4.8" - 125357-1	4.8	1.992
Adapter, CCD ST - 200397	0.25	1.742
ST Back Focus (no D-Block)	1.742	0

PLANEWAVE INSTRUMENTS
2" CCD SPACERS FOR ST CAMERAS
 for CDK12.5



ST Camera, no filter wheel			10.445 remaining BF
Focuser racked in	3.25	7.195	
Focuser Position (0 - 1.3")	0.483	6.712	
Adapter, 2.75 to 2 (standard accy)	1.65	5.062	
CCD 2" SPACER x 3.85" - 200368-1	3.85	1.212	
T to 2 Adapter (SBIG)	0.2	1.012	
ST Back Focus (with D-Block)	1.012	0	

ST Camera with CFW10 w/ D-Block			10.445 remaining BF
Focuser racked in	3.25	7.195	
Focuser Position (0 - 1.3")	0.453	6.742	
Adapter, 2.75 to 2 (standard accy)	1.65	5.092	
CCD 2" SPACER x 3.3" - 200368-3	3.3	1.792	
T to 2 Adapter (SBIG)	0.2	1.592	
ST Back Focus (with D-Block)	1.592	0	

ST Camera with CFW8 w/ D-Block			10.445 remaining BF
Focuser racked in	3.25	7.195	
Focuser Position (0 - 1.3")	0.483	6.712	
Adapter, 2.75 to 2 (standard accy)	1.65	5.062	
CCD 2" SPACER x 2.85" - 200368-2	2.85	2.212	
T to 2 Adapter (SBIG)	0.2	2.012	
ST Back Focus (with D-block)	2.012	0	

ST Camera + AO-7			10.445 remaining BF
Focuser racked in	3.25	7.195	
Focuser Position (0 - 1.3")	0.835	6.36	
Adapter, 2.75 to 2 (standard accy)	1.65	4.71	
T to T Adapter (SBIG)	0.2	4.51	
ST + AO-7 backfocus	4.51	0	

ST + CFW10 + AO-7			10.445 remaining BF
Focuser racked in	3.25	7.195	
Focuser Position (0 - 1.3")	0.255	6.94	
Adapter, 2.75 to 2 (standard accy)	1.65	5.29	
T to T Adapter (SBIG)	0.2	5.09	
ST + AO-7 backfocus	5.09	0	

DOES NOT HAVE ENOUGH BACK FOCUS

ST + CFW8 + AO-7			10.445 remaining BF
Focuser racked in	3.25	7.195	
Focuser Position (0 - 1.3")	0	7.195	
Adapter, 2.75 to 2 (standard accy)	1.65	5.545	
T to 2 Adapter (SBIG)	0.2	5.345	
ST + AO-7 backfocus	5.51	-0.165	